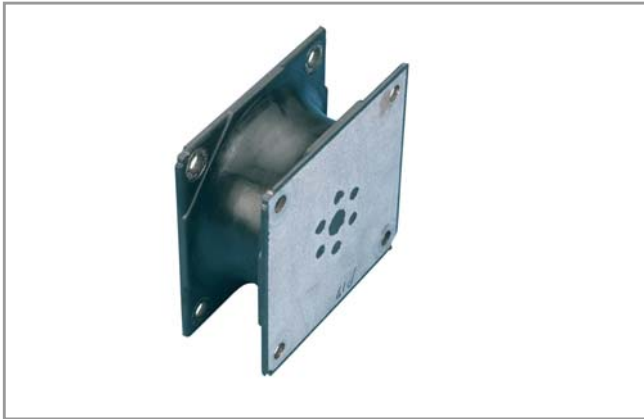


3" Shearmount™



Novibra® type 3" Shearmount™

Widely used for suspending engines on road vehicles and may also be employed as springs for vibratory equipment.

Features

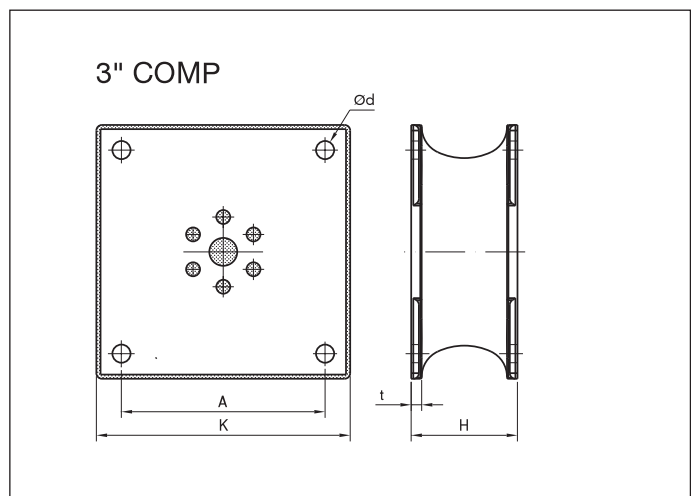
3" Shearmounts are also known as 'Sandwich' mountings because they feature a rubber section sandwiched between plates of metal.

This arrangement allows a large difference between the compression and shear stiffnesses, thus providing the potential to 'tune' a mounting system by rotating the mountings.

These mountings are commonly installed in a 'Vee' formation to utilize this feature.

The Rectangular SAW Mountings has the following features:

- ▼ Available with plate or stud fixings.
- ▼ Can be loaded in compression or shear, or a combination of both, for example in a 'Vee' arrangement.
- ▼ Can be manufactured with or without interleaves to change the ratio of shear to compression stiffness.

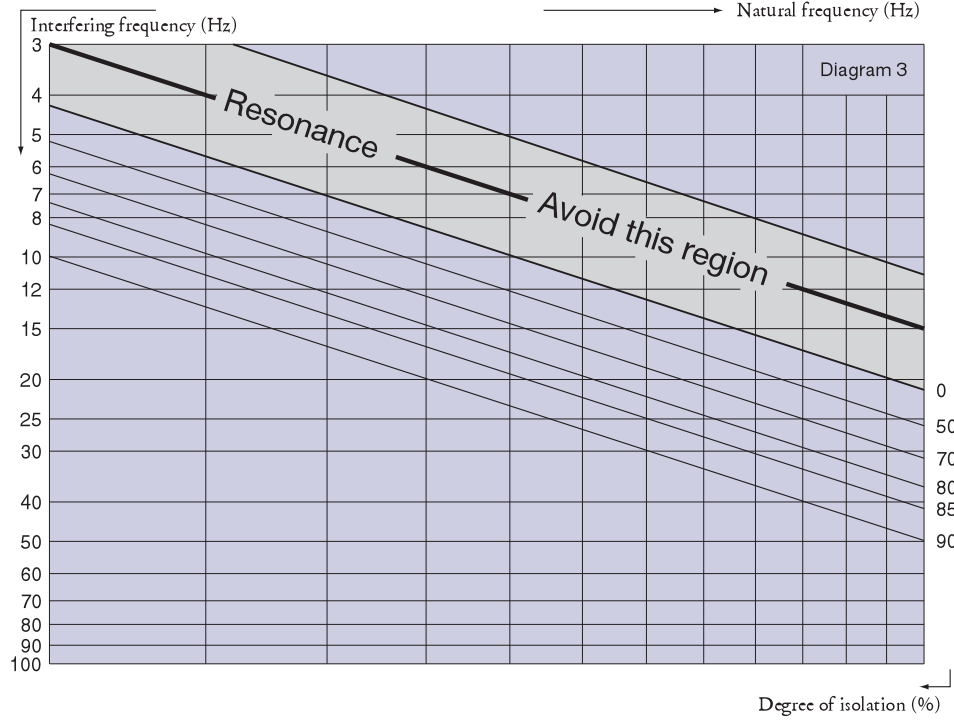
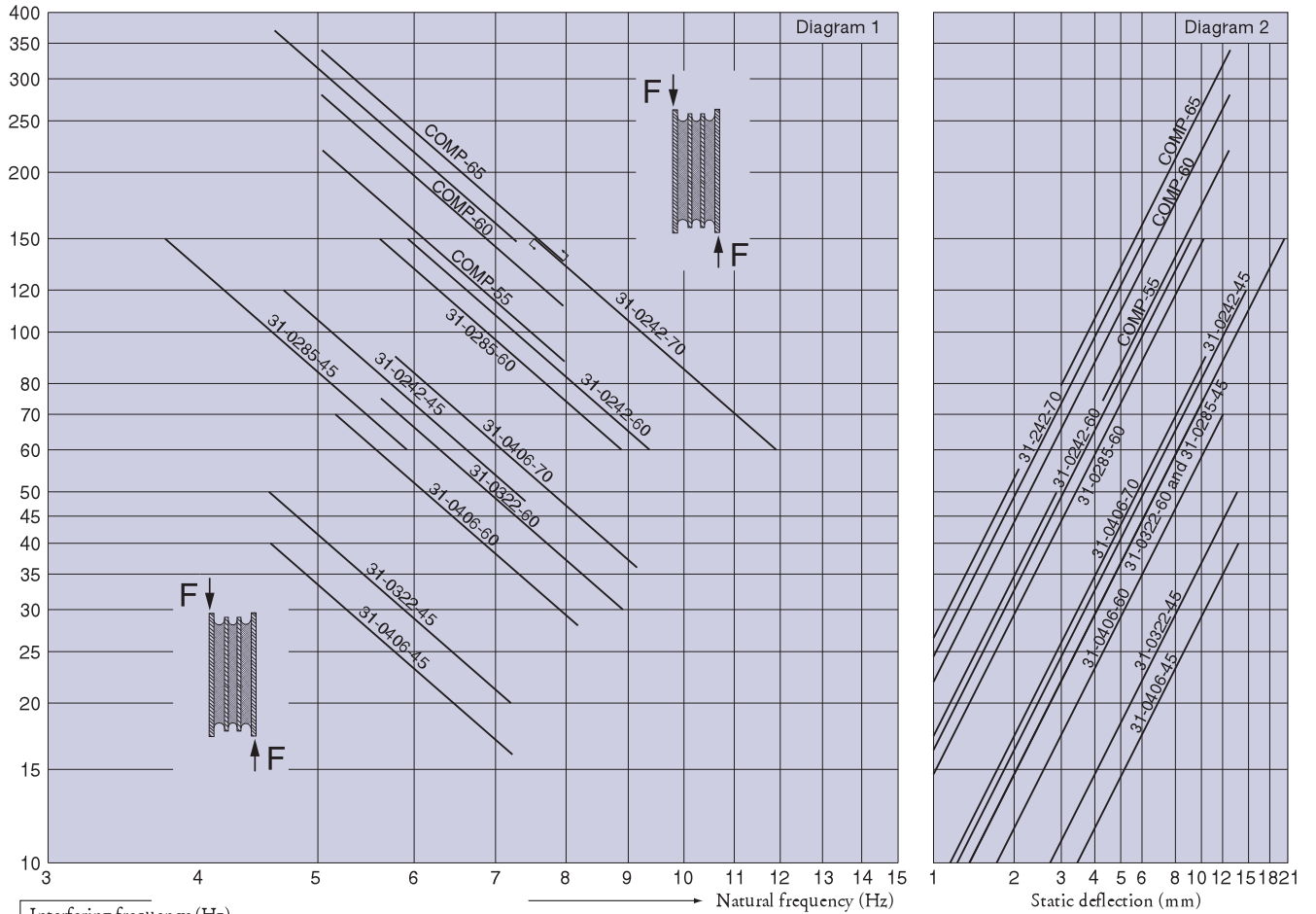


Type	Drawing no.	Part no.	Dimensions in mm					Max Load in Shear (Kg)	Weight (Kg)
			A	K	H	d	t		
3"COMP 55	17-4348-02	10-00067	146	182	76	13	7,5	220	3,4
3"COMP 60	17-4348-00	10-00065	146	182	76	13	7,5	280	3,4
3"COMP 65	17-4348-01	10-00066	146	182	76	13	7,5	340	3,4

3" Shearmount™

Note: The natural frequencies and degrees of isolation are based on dynamic characteristics of the mountings.

Load per mounting (kg)



To select correct mounting, following data are needed:
 1) Load per mounting (kg)
 2) Interfering frequency (Hz)
 (Hz = rpm / 60)
 Select correct load line in diagram 1 and correct interference line in diagram 3. The load line intersects with required type of mounting.
 Connect this intersection point vertically down to the interference line in diagram 3. Here, on the sloping curve, the isolation degree is indicated.
 For static deflection, see diagram 2.

