



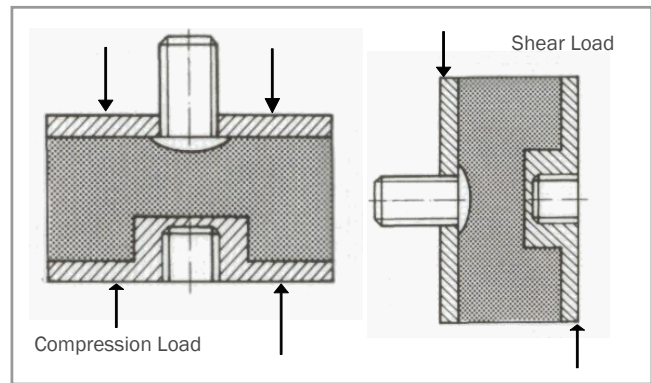
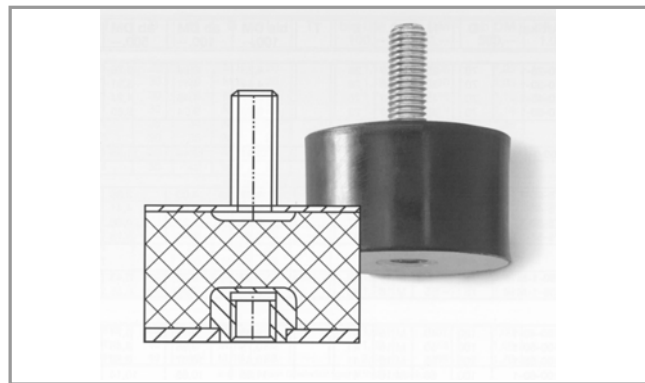
Features

Trelleborg Industrial AVS - Bobbins

A supplementary range of cylindrical mountings for a wide range of applications. They can be loaded either in compression or shear taking into consideration individual demands for actual applications.

Figures stated are for natural rubber hardness 60° IRH.

The technical values are to be used for info only.
If questions, please contact TIAVS.



Part no.	Dimensions Diameter/Height	Bolt Internal Thread	Bolt Length mm	Compression Load		Shear Load	
				F(Max) N	S(Max) mm	F(Max) N	S(Max) mm
20-01449	B10/10	M4	10	56	0,9	10	2,3
20-00794	B10/15	M4	10	52	1,5	23	3,8
20-01698	B15/15	M4	10	115	1,4	50	3,8
20-01264	B20/15	M6	10	160	0,9	105	3,8
20-01265	B20/20	M6	18	160	1,2	90	5
20-01266	B20/25	M6	18	150	2,5	90	6,3
20-01267	B25/15	M6	18	290	1,3	160	3,8
20-01268	B25/20	M6	18	280	2,1	145	5
20-00573	B25/25	M6	18	260	2,9	135	6,3
20-01016	B25/30	M6	18	250	3,2	135	7,5
20-01269	B30/15	M8	20	676	1,4	208	3,4
20-00898	B30/20	M6	20	380	1,6	210	5
20-00464	B30/25	M6	20	370	2,3	200	6,3
20-00575	B30/30	M8	20	355	2,8	190	7,5
20-01539	B30/40	M8	20	300	3,2	100	8
20-00466	B40/30	M8	20	600	2,4	340	7,5
20-00821	B40/40	M8	23	600	3,8	330	10
20-01273	B50/20	M10	28	1300	1	455	4
20-00577	B50/30	M10	28	1200	2,6	500	7
20-00578	B50/40	M10	28	1100	3,6	315	10
20-01276	B50/50	M10	28	1050	5,1	505	12,5
20-00822	B60/40	M10	28	1750	4,6	700	6,3
20-01283	B75/50	M12	37	2600	4,3	1185	12,5
20-00824	B75/55	M12	35/37	2400	4,7	1170	13,8
20-00518	B100/40	M16	41	6500	3,2	2310	10
20-01285	B100/55	M16	41	5100	5	2180	13,8
20-01286	B100/60	M16	41	5000	5,6	2125	15