



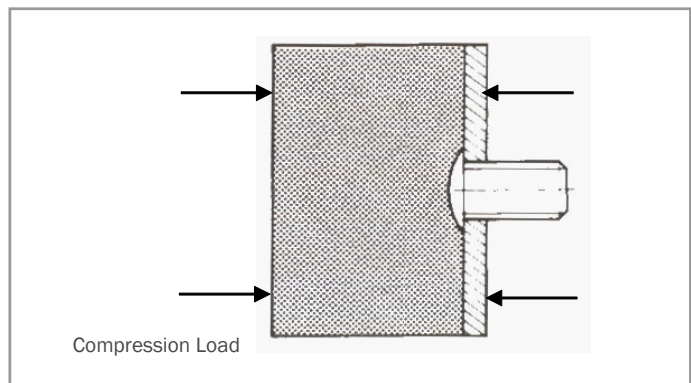
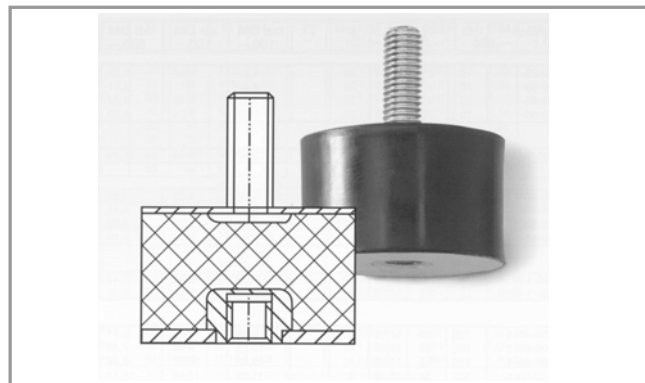
**Features**

**Trelleborg Industrial AVS - Bobbins**

A supplementary range of cylindrical mountings for a wide range of applications. They can be loaded either in compression or shear taking into consideration individual demands for actual applications.

Figures stated are for natural rubber hardness 60° IRH.

The technical values are to be used for info only.  
If questions, please contact TIAVS.



Part no.	Dimensions Diameter/Height	Bolt Internal Thread	Bolt Length mm	Compression Load	
				F(Max) N	S(Max) mm
20-01542	D10/10	M4	10	59	1
20-01459	D15/15	M4	13	115	2
20-01561	D20/10	M6	8/15/18	170	1,1
20-01338	D20/15	M6	18	160	1,4
20-01339	D20/20	M6	15/18	160	1,9
20-01340	D20/25	M6	18	150	2,8
20-01342	D25/10	M6	18	300	0,8
20-01015	D25/15	M6	18	290	1,5
20-01346	D25/20	M6	20	280	2,3
20-00490	D30/15	M8	20	350	3,1
20-00597	D30/17	M8	20		
20-01461	D30/20	M6	20/25	350	4,4
20-00604	D30/25	M6	20	350	5,8
20-00492	D30/30	M8	23	350	7,2
20-01562	D40/25	M8	20/23	1044	2
20-01462	D40/30	M8/M10	28	660	3,3
20-01365	D40/40	M8	28	600	4,6
20-00602	D50/20	M10	28	1500	2
20-00601	D50/30	M10	28	1200	3,3
20-01369	D50/40	M10	28	1100	4,3
20-01370	D50/45	M10	27	1050	5,1
20-00649	D75/25	M12	37	5446	2,5
20-01379	D75/40	M12	37	2900	4
20-01382	D75/50	M12	41		
20-01387	D100/40	M16	41	6600	3,6
20-01388	D100/50	M16		5400	5