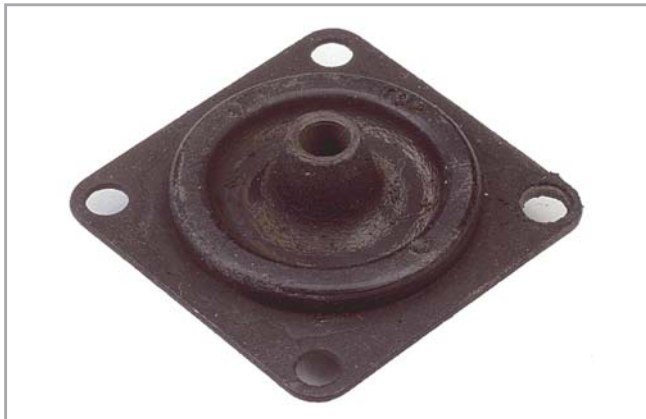


Flanged Instru-mountings™

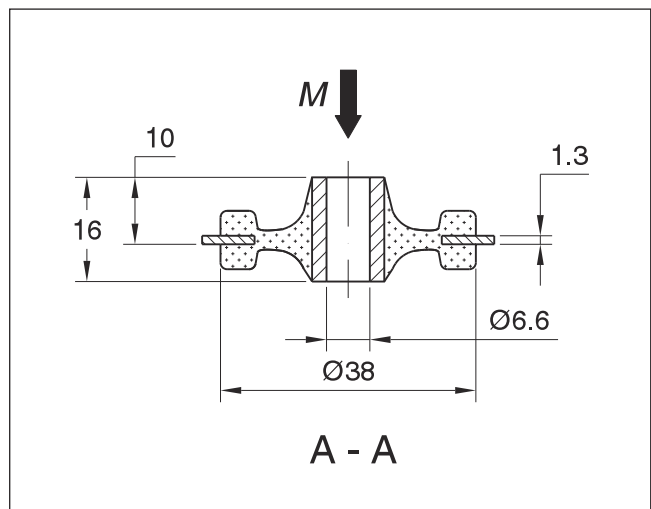
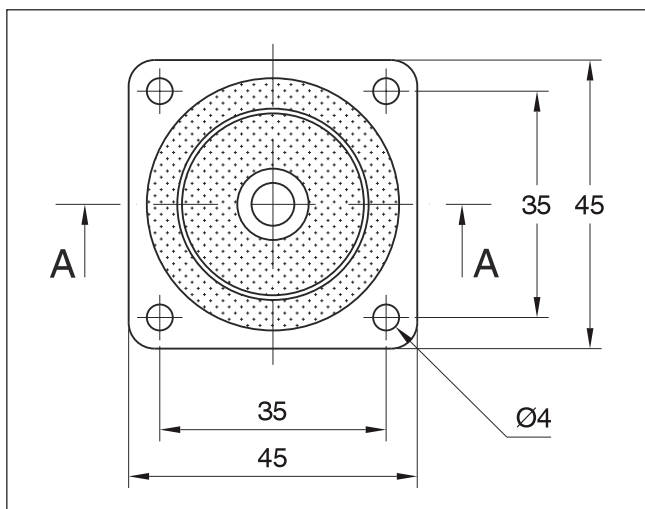


Features

- ▼ Load range from 2.7 to 5.4 kg.
- ▼ Static deflection up to 2.5 mm.
- ▼ Easy to fit as part of a cabinet enclosure.
- ▼ Fail-safe when fitted with overload and rebound washers of the same diameter as the rubber section.

Metalastik® type Flanged Instru-mountings™

These mountings are suitable for both mobile and static applications, for the protection of sensitive equipment from external vibration or for vibration isolation of small fan sets, transformers and similar equipment. Flanged Instrumountings can be fail-safe if fitted with a washer to the top and bottom of the rubber section.

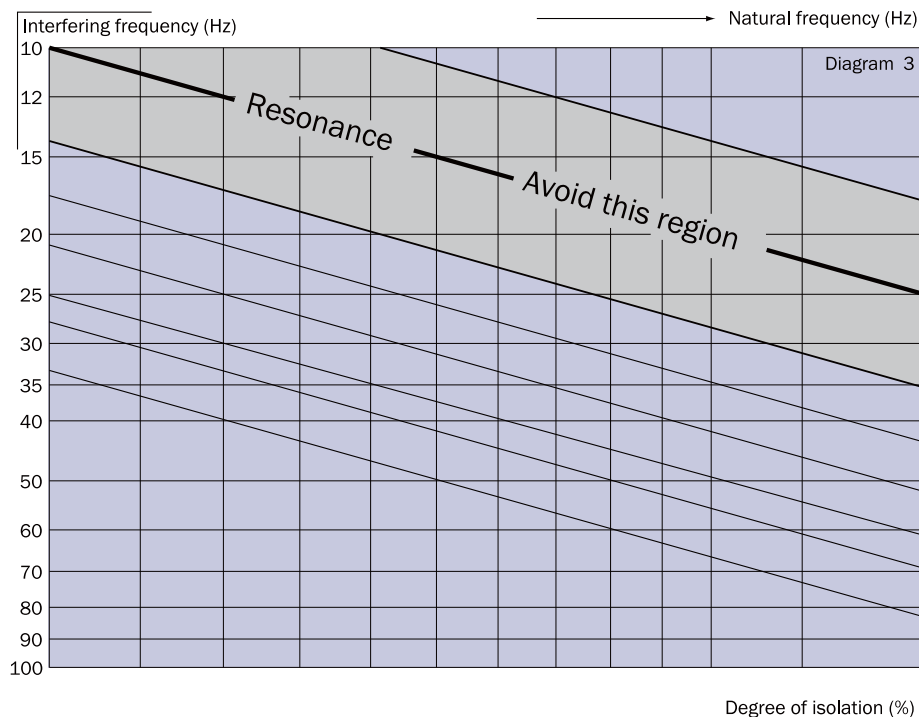
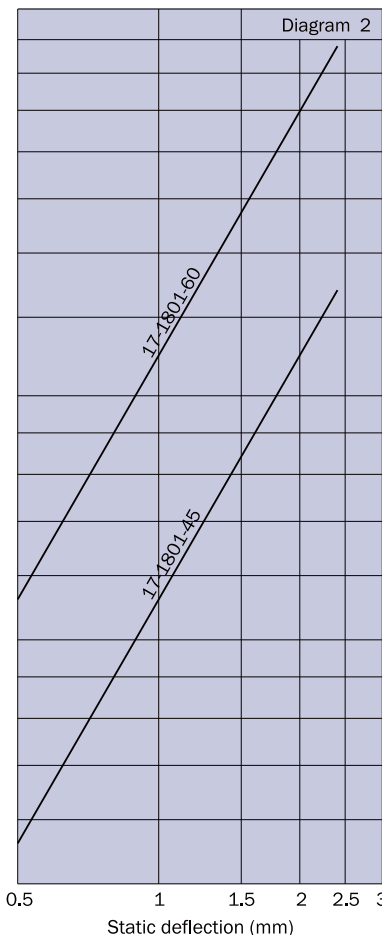
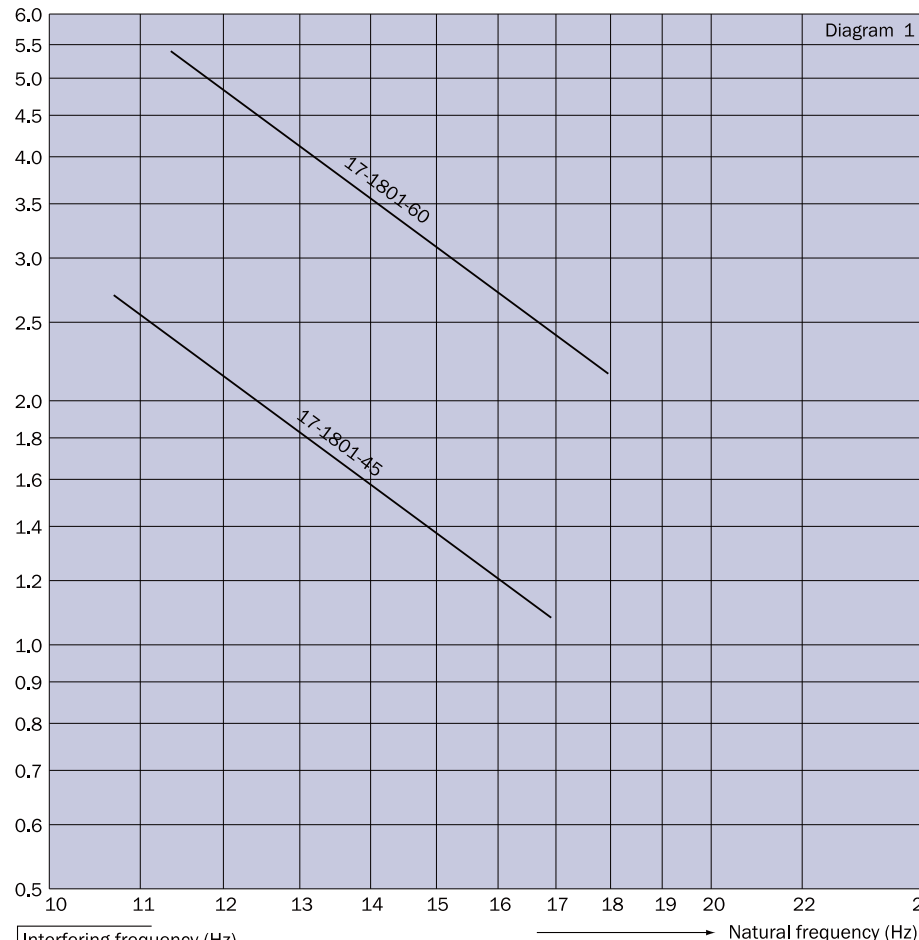


Drawing no.	Part no.	M-Max (Kg)	Weight (Kg)
17-1801	10-00583	2,7	0,03
17-1801	10-00584	5,4	0,03

Flanged Instru-mountings™

Note: The natural frequencies and degrees of isolation are based on dynamic characteristics of the mountings.

Load per mounting (kg)



To select correct mounting, following data are needed:

- 1) Load per mounting (kg)
- 2) Interfering frequency (Hz) (Hz = rpm / 60)

Select correct load line in diagram 1 and correct interference line in diagram 3. The load line intersects with required type of mounting.

Connect this intersection point vertically down to the interference line in diagram 3. Here, on the sloping curve, the isolation degree is indicated.

For static deflection, see diagram 2.

